



# V100 by Victora

Quality, Affordability & Style

Infratravel at its best!





# V100 by Victora

## Quality, Affordability & Style

When it is about providing a world-class Infratravel™ experience that brings peace of mind about being safe and secure and at the same time fits well in the budget, then V100 is the best choice.

V100 is a product that has been engineered and developed keeping in mind the low and mid-rise real estate sector of India and meets all the needs and requirements of this segment well.

### Key Figures

<b>Capacity</b>	340-544 kg
<b>Travel Height</b>	Up to 45 m
<b>Stops</b>	Max 16 Stops
<b>Speed</b>	0.6-1.0 M/Sec
<b>Entrances</b>	One Sided
<b>Interior</b>	Elegance Design Theme by Victora



### World-Class Quality

Global standards of quality from designing to manufacturing to installation and maintenance.

### Feasible Affordability

Engineered and developed according to Indian low and mid rise real estate sector.

### Alluring Style

The elegance design theme gives options to make the style statement you desire.

### Optimised Design

Cost effective & space saving

# World-Class Quality

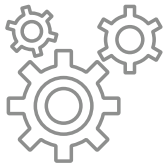
## Experience the Smooth Ride

V100 is an Infratravel™ solution whose quality is achieved by precision-oriented software and manufacturing machines combined with the best of manpower and processes that pass through rigorous tests through sophisticated quality measuring instruments & standards.



### Innovation in Installation

Victoria modular installation & inspection method not only provides the benefit of timely installation but also guarantees lift safety.



### Quiet & Smooth Operation

V100 uses drive system which ensures efficient operation & reliability, ensuring best riding comfort in its class.



### Environment Friendly

Our products have been designed & engineered keeping in mind the requirement laid down by ISO 14001 system.



### Latest Technology

V100 is an Infratravel™ equipment that matches the latest of technology standards on a global platform.

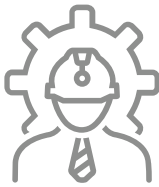
\*The arrangement always depends on specific customer requirement. Usage pattern, load capacity, customer's required configuration and site condition may affect the final rating.



# Feasible Affordability

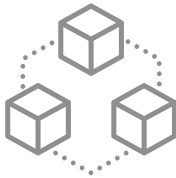
## Best Quality in Your Budget

Get benefitted from our latest innovation & technology throughout the complete product life cycle of your lift. Our lifts are designed to give maximum performance at optimal operation cost. Victora lifts have been value engineered & re-engineered to its optimum level to suit customer's affordability, yet maintaining lift quality as per standards in highly competitive market.



### Value Engineered

Our design department is equipped with latest, high end software & design work stations to plan & design lifts to suit customer's various requirements.



### Standardization in Production

V100 standardized components & in house manufacturing & engineering solution ensures top most reliability with minimum downtime of lifts, further reducing the cost of spare parts and maintenance.



### Cost saving Components

V100 utilizes most energy efficient, eco-friendly & green technology products like low power consuming LEDs power efficient gearless motor technology with integrated drive technology thereby leading to low operating costs & extended life.



VICTORA

VICTORA

# Alluring Style

Design customized with your style



You have the complete freedom to choose the look and vibe of your lift. Elegance offers you various options of lighting, walls, floors, and fixtures to choose from. You can further enhance your travel experience by opting for the mirror and handrail options available with Elegance.





Ceiling

Stainless Steel Hairline	Metallic Silver (Painted)	Glossy Ivory (Painted)



Lighting

Major Square	Minor Square	Minor Round



Walls

Stainless Steel Hairline			
Horizon Blue (Painted)	Pista Green (Painted)	Glossy Ivory (Painted)	Admiral Grey (Painted)
Hazel Wood	Light Wood	Natural Wood	Bare



Car door & fronts

Stainless Steel Hairline	Metallic Silver (Painted)	Glossy Ivory (Painted)



Floor

Black Studded	Grey Studded	Aluminium Checkered	Bare



Skirting

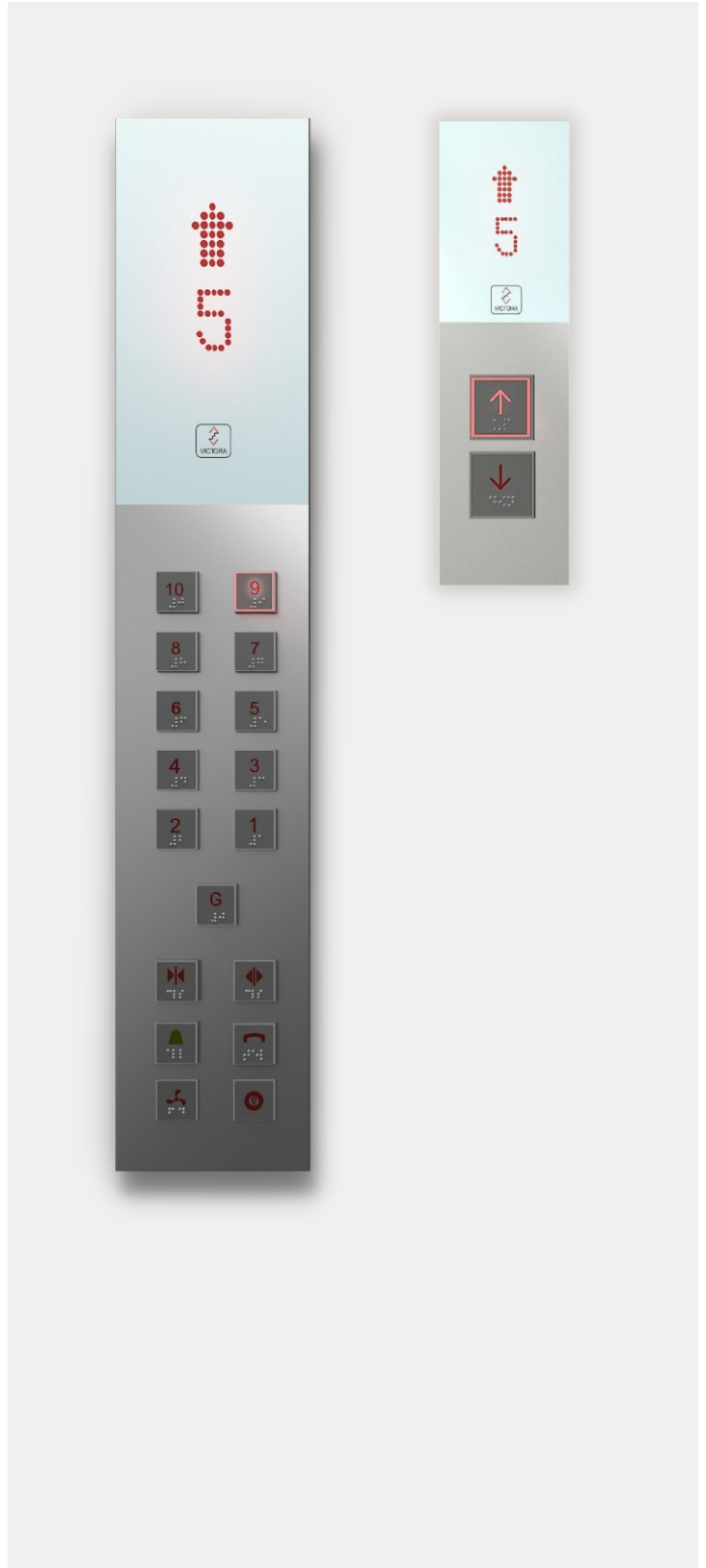
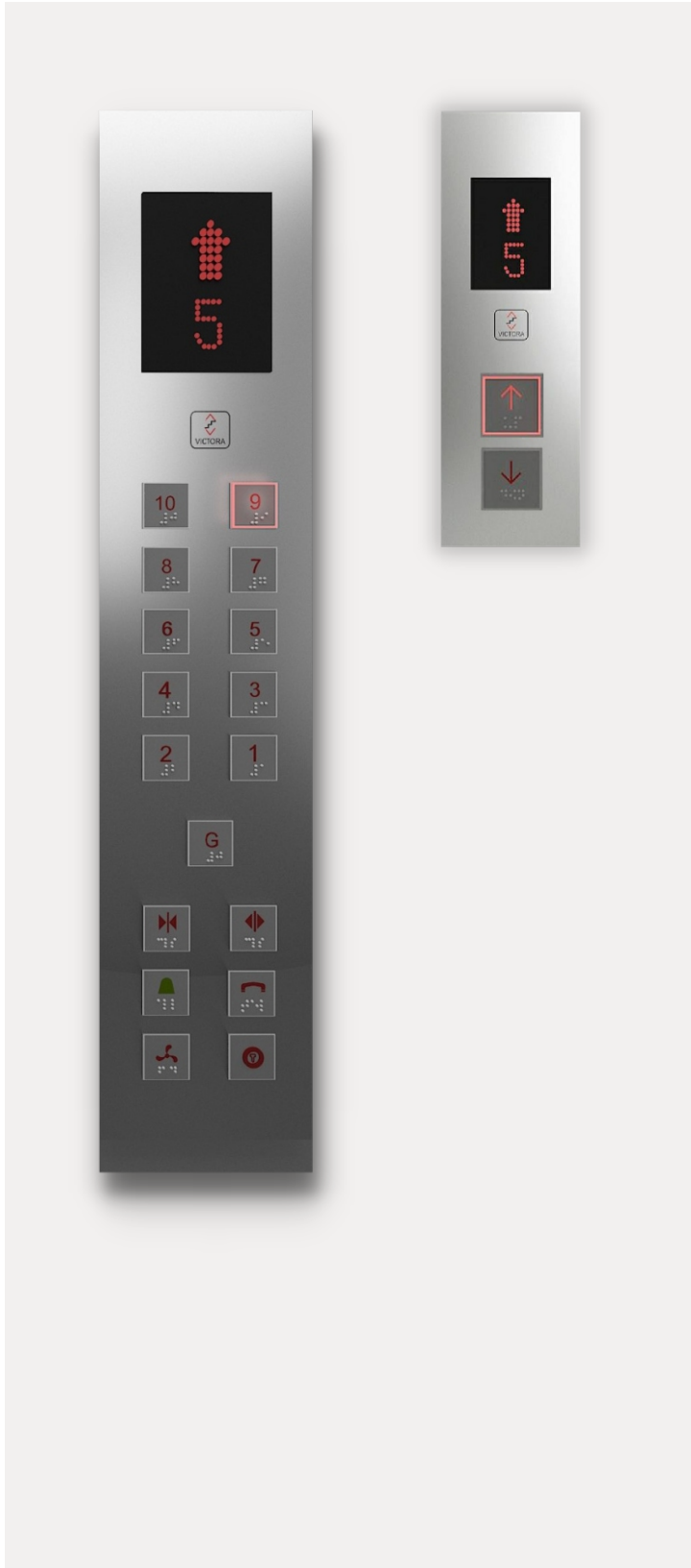
Stainless Steel Hairline	Metallic Silver (Painted)	Glossy Ivory (Painted)

**NOTE:** Colours, Options & Specifications are subject to change with time. All cabin interior options shown in the brochure are representative only & may vary from original in color & material.

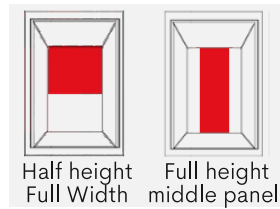
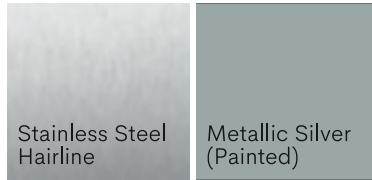
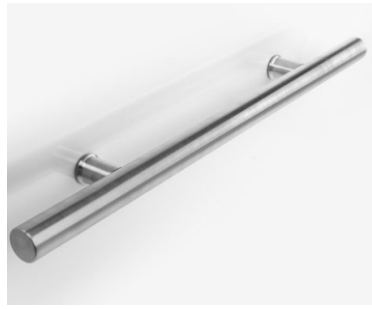
# Car Operating Panels and Landing Fixtures

Canis

Draco



# Handrails and Mirrors



Victoria gives the option of installing handrails and mirrors on wall for better comfort and enhanced feel of space. Handrails come in two attractive finishes while mirrors are available in two arrangements.

# Landing Doors



Our landing doors are designed with the philosophy of love at first sight and that is why they complement the interiors harmoniously.



# Optimized Design

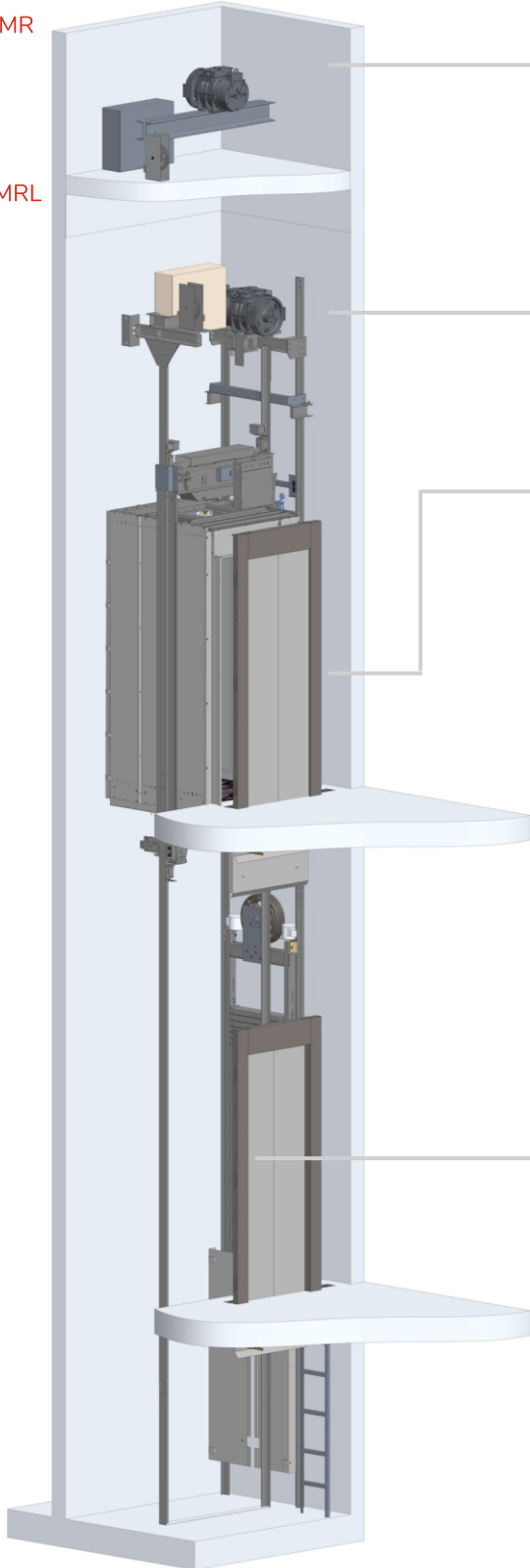
## Cost Effective & Space Saving

V100 provides benefit by way of flexible design of machine mounting area wherein customer has a choice of going with compact Machine Room (MR) or Machine Room Less (MRL) options, reducing construction cost & providing extra floor space.

Flexible  
Space  
Option

MR

MRL



### Option of Affordable Machine Room Design

If space is not a concern for you and you are looking to buy a more affordable product then V100 has the option of geared machine in machine room.

### Space Saving Machine Room Less Design

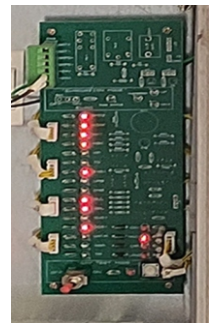
When it's about bringing out the best of optimization of space and cost, V100 has the option of going machine room less with all components in the shaft.

### Maintenance Access Panel (MAP)

The maintenance & test panel is a part of standard door frame. This solution eases lift installation, facilitates easy access, saves space & provides better aesthetics.

### Controller

V100 controller comes with additional features of earthquake sensing & operating lift as firefighter lift.



### Door Sizes as Per the Choice of Car size

Door sizes and opening can be selected as per the car size depending on the building requirements. All our door operators are equipped with latest drive technology.

# Planning Data

## MRL

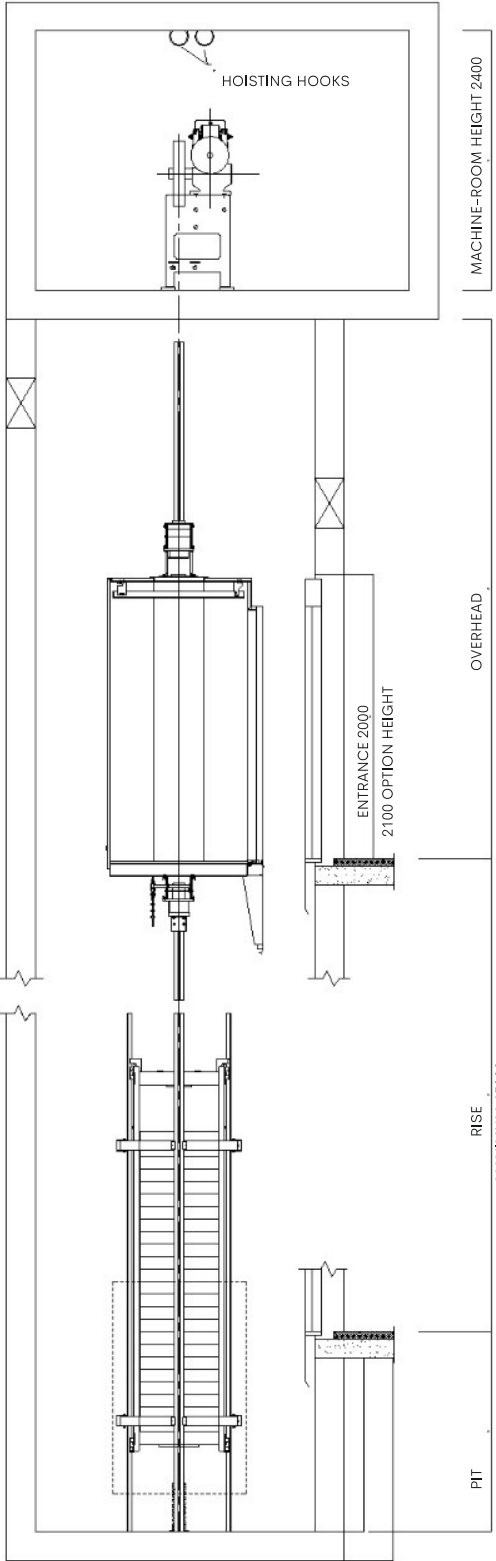
MRL															
Capacity (kg)	Pass Cap Persons	Speed (m/s)	Travel (m)	Stops	Entrance	Car			Type	Door		Shaft		PIT DEP.	OVERHEAD
						WC (mm)	DC (mm)	CHT (mm)		WLD (mm)	HT (mm)	WH mm	DH mm	PD	OH
340	5	0.63	27	10	1	1000	950	2230	T2	700	2000	1520	1360	1450	4200
		1.00	45	16											
		0.63	27	10	1	1000	950	2230	C2	700	2000	1620	1360	1450	4200
		1.00	45	16											
		0.63	27	10	1	930	1000	2230	C2	700	2000	1595	1395	1450	4200
1.00	45	16													
408	6	0.63	27	10	1	1000	1100	2230	T2	700	2000	1520	1465	1450	4200
		1.00	45	16											
		0.63	27	10	1	1000	1100	2230	C2	700	2000	1620	1430	1450	4200
		1.00	45	16											
		0.63	27	10	1	1000	1100	2230	T2	800	2000	1720	1470	1450	4200
1.00	45	16													
0.63	27	10	1	1000	1100	2230	C2	800	2000	1720	1430	1450	4200		
1.00	45	16													
476	7	0.63	27	10	1	1050	1150	2230	T2	800	2000	1570	1565	1450	4200
		1.00	45	16											
		0.63	27	10	1	1050	1150	2230	C2	800	2000	1740	1460	1450	4200
		1.00	45	16											
		0.63	27	10	1	980	1200	2230	T2	800	2000	1500	1500	1450	4200
1.00	45	16													
544	8	0.63	27	10	1	1100	1300	2230 / 2330	T2	800	2000 / 2100	1620	1625	1450	4200 / 4300
		1.00	45	16											
		0.63	27	10	1	1100	1300	2230 / 2330	C2	800	2000 / 2100	1800	1650	1450	4200 / 4300
		1.00	45	16											
		0.63	27	10	1	1030	1300	2230 / 2330	T2	800	2000 / 2100	1550	1650	1450	4200 / 4300
1.00	45	16													
0.63	27	10	1	1030	1300	2230 / 2330	C2	800	2000 / 2100	1735	1580	1450	4200 / 4300		
1.00	45	16													

## MR

MR GEARED															
Capacity (kg)	Pass Cap Persons	Speed (m/s)	Travel (m)	Stops	Entrance	Car			Type	Door		Shaft		PIT DEP.	OVERHEAD
						WC (mm)	DC (mm)	CHT (mm)		WLD (mm)	HT (mm)	WH mm	DH mm	PD	OH
340	5	0.63	27	10	1	950	950	2230	T2	700	2000	1300	1450	1450	4100
		1.00	45	16											
		0.63	27	10	1	950	950	2230	C2	700	2000	1520	1415	1450	4100
		1.00	45	16											
408	6	0.63	27	10	1	1000	1100	2230	T2	700	2000	1510	1500	1450	4100
		1.00	45	16											
		0.63	27	10	1	1200	950	2230	C2	700	2000	1530	1450	1450	4100
		1.00	45	16											
		0.63	27	10	1	1000	1100	2230	C2	700	2000	1530	1600	1450	4100
		1.00	45	16											
		0.63	27	10	1	1000	1100	2230	T2	800	2000	1490	1640	1450	4100
		1.00	45	16											
0.63	27	10	1	1000	1100	2230	C2	800	2000	1720	1600	1450	4100		
1.00	45	16													
476	7	0.63	27	10	1	1050	1150	2230	T2	800	2000	1620	1500	1450	4100
		1.00	45	16											
		0.63	27	10	1	1050	1150	2230	C2	800	2000	1720	1650	1450	4100
		1.00	45	16											
		0.63	27	10	1	1100	1100	2230	T2	800	2000	1670	1475	1450	4100
		1.00	45	16											
		0.63	27	10	1	1100	1100	2230	C2	800	2000	1750	1625	1450	4100
		1.00	45	16											
		0.63	27	10	1	1100	1150	2230	T2	800	2000	1670	1500	1450	4100
		1.00	45	16											
		0.63	27	10	1	1100	1150	2230	C2	800	2000	1750	1675	1450	4100
		1.00	45	16											
0.63	27	10	1	1150	1100	2230	T2	800	2000	1720	1475	1450	4100		
1.00	45	16													
0.63	27	10	1	1150	1100	2230	C2	800	2000	1800	1625	1450	4100		
1.00	45	16													
544	8	0.63	27	10	1	1100	1300	2230 / 2330	T2	800	2000 / 2100	1600	1650	1450	4100 / 4200
		1.00	45	16											
		0.63	27	10	1	1100	1300	2230 / 2330	C2	800	2000 / 2100	1800	1600	1450	4100 / 4200
		1.00	45	16											
		0.63	27	10	1	1300	1100	2230 / 2330	C2	800	2000 / 2100	1750	1650	1450	4100 / 4200
1.00	45	16													

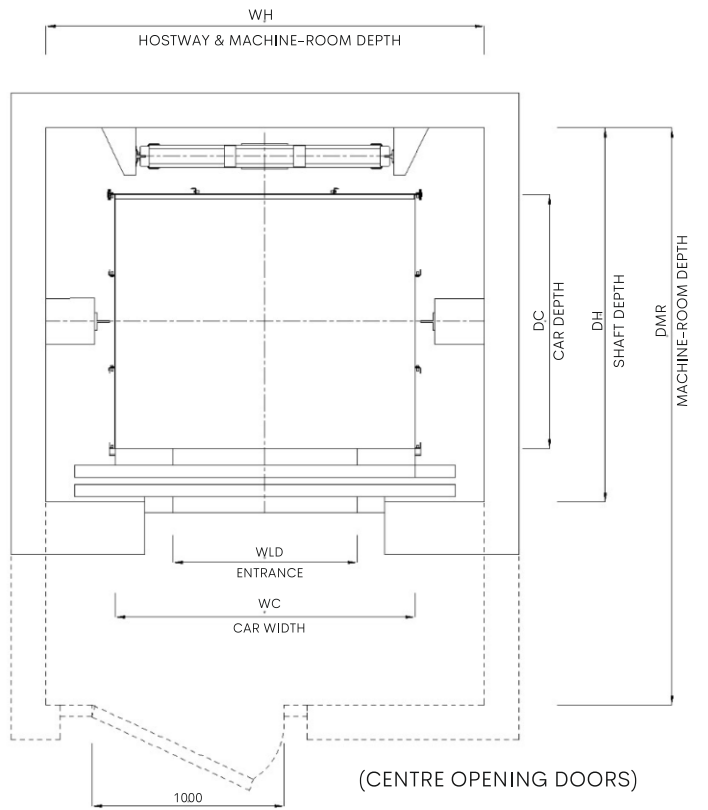
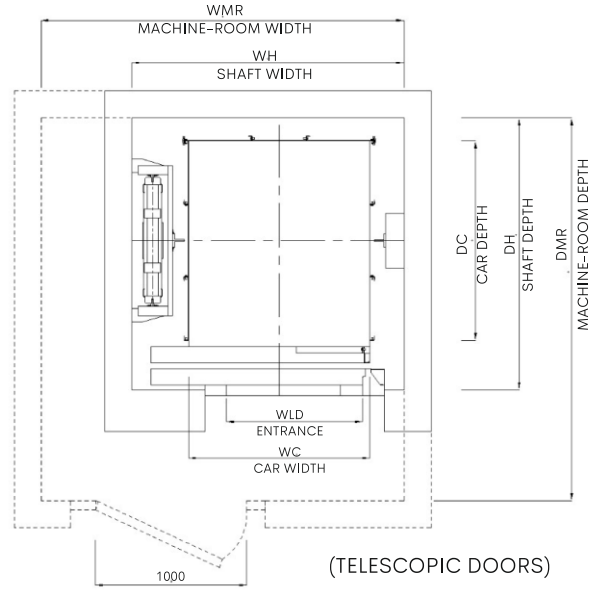
V100	MACHINE ROOM SIZES		
	DEPTH (DMR)	WIDTH (WMR)	HEIGHT (HMR)
MRL - GEARLESS	NA	NA	NA
MR - GEARED	DH+2000	WH+1500	2400 MM

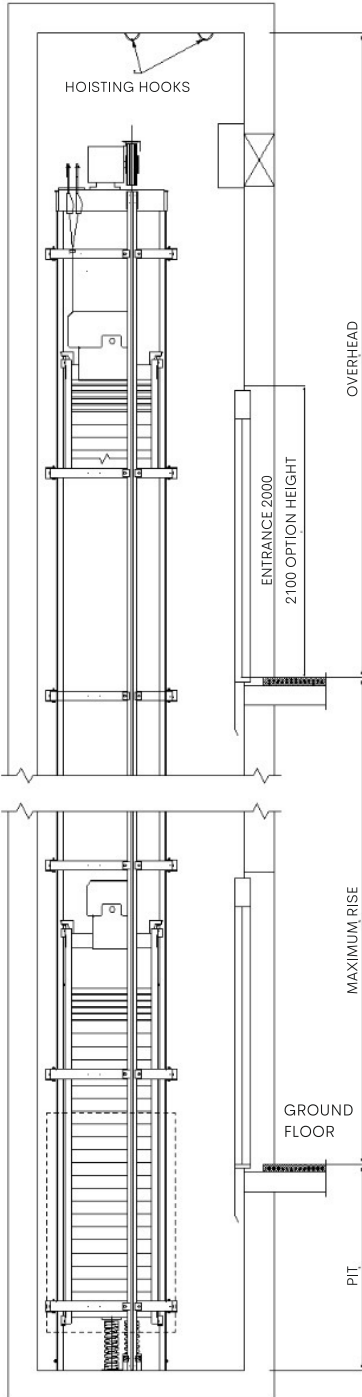
**Abbreviations :** WC - Width of Car; DC - Depth of Car; CHT - Car Height; WLD - Door Entrance Width; HT - Door Entrance Height; WH - Width of Shaft; DH - Depth of Shaft; C2 - Center Opening Door; T2 - Telescopic Door



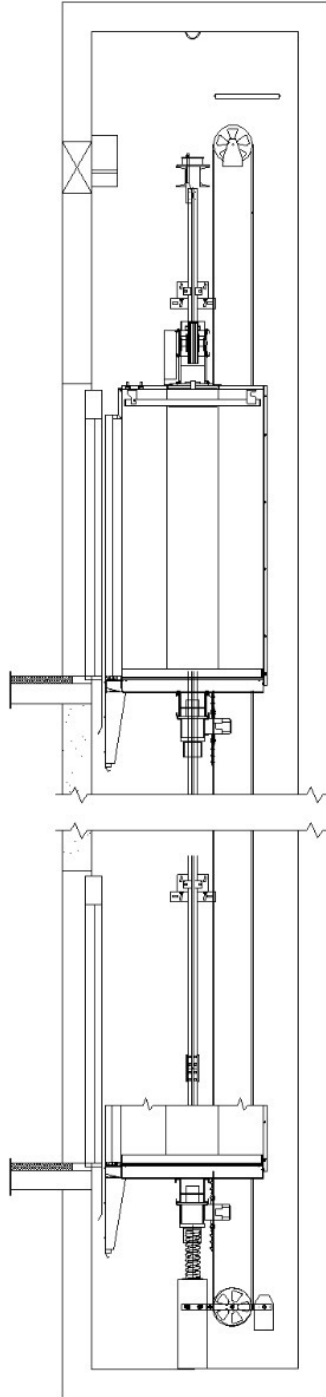
ELEVATION

REFER VICTORA DETAILED DESIGNING FOR ADDITIONAL INFORMATION

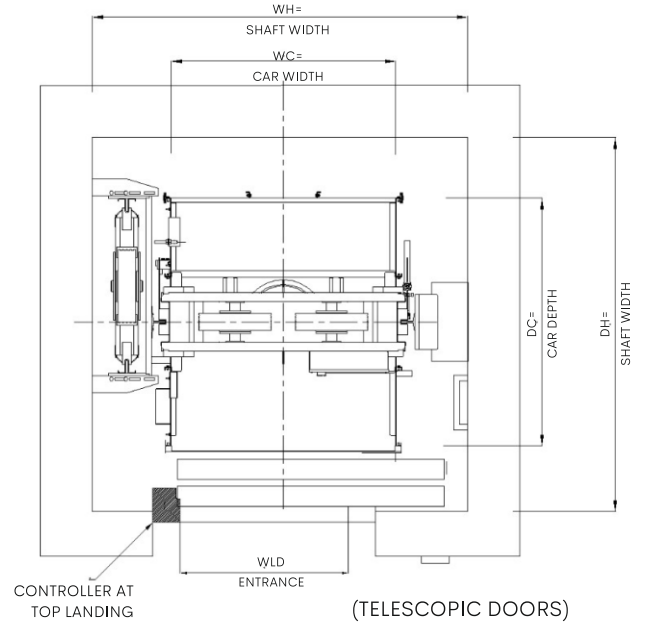




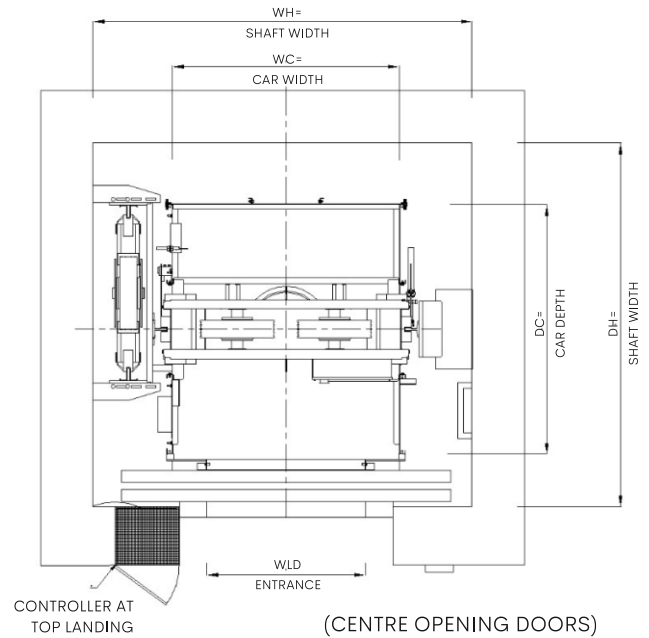
COUNTERWEIGHT DETAILS



CAR DETAILS



PLAN DETAIL



PLAN DETAIL

# Victoria Lifts Manufacturing Unit



- North India's largest lift manufacturing facility. Built in two acres having state of the art imported machines from the likes of messers and amada, robots for welding from YASKAWA and all MIG welding machines from panasonic.
- State of the art measuring instruments like CMM, height gauges, surface plates, welding penetration testing machines etc. The company is ISO certifies for quality, health, safety and environment management systems.



# Victoria Standards : How we Deliver



## Research & Development

Victoria has a strong commitment to research & development constantly striving to be ahead of the curve- be it evolving trends, markets, customer needs or processes. Our design division is well equipped with high end softwares, which includes CATIA , Creo, unigraphics, hyperform, altair, power, (DELCAM), AutoCAD etc.



## Mechanical

Our production, design and development department are well equipped with latest manufacturing facilities that include machines of AMADA Co. (Leaders in manufacturing machines) – CNC TPP, CNC press break, CNC laser cutting etc. A state of the art paint shop with nine-tank pre treatment facility is one of our key expertise's. We utilize robotic welding, automation in order to create synergy in quality and cost. We understand the complexities involved in today's manufacturing environment.



## Electrical

Quality control is not an obligation; it is the very foundation of Victoria. Mindful of sustainable environmental development we use the most energy efficient products like low power consuming LEDs thereby leading to low maintenance and extended life. The use of controller based on integrated type drive, all circuits are MCB based instead of wire fuse etc. are some feature being used at our highly sophisticated facility.



## Installation

Our installation are process based and time bound without compromising stringent quality checks at each point by trained and experienced team of engineers. Equipped with an impressive array of state of the art machines, a strong talent pool of engineering with the ability to link critical product specifications and design with electronic data interchange, Victoria translates all this into substantial savings in terms of cost and time to our customers.



## Maintenance

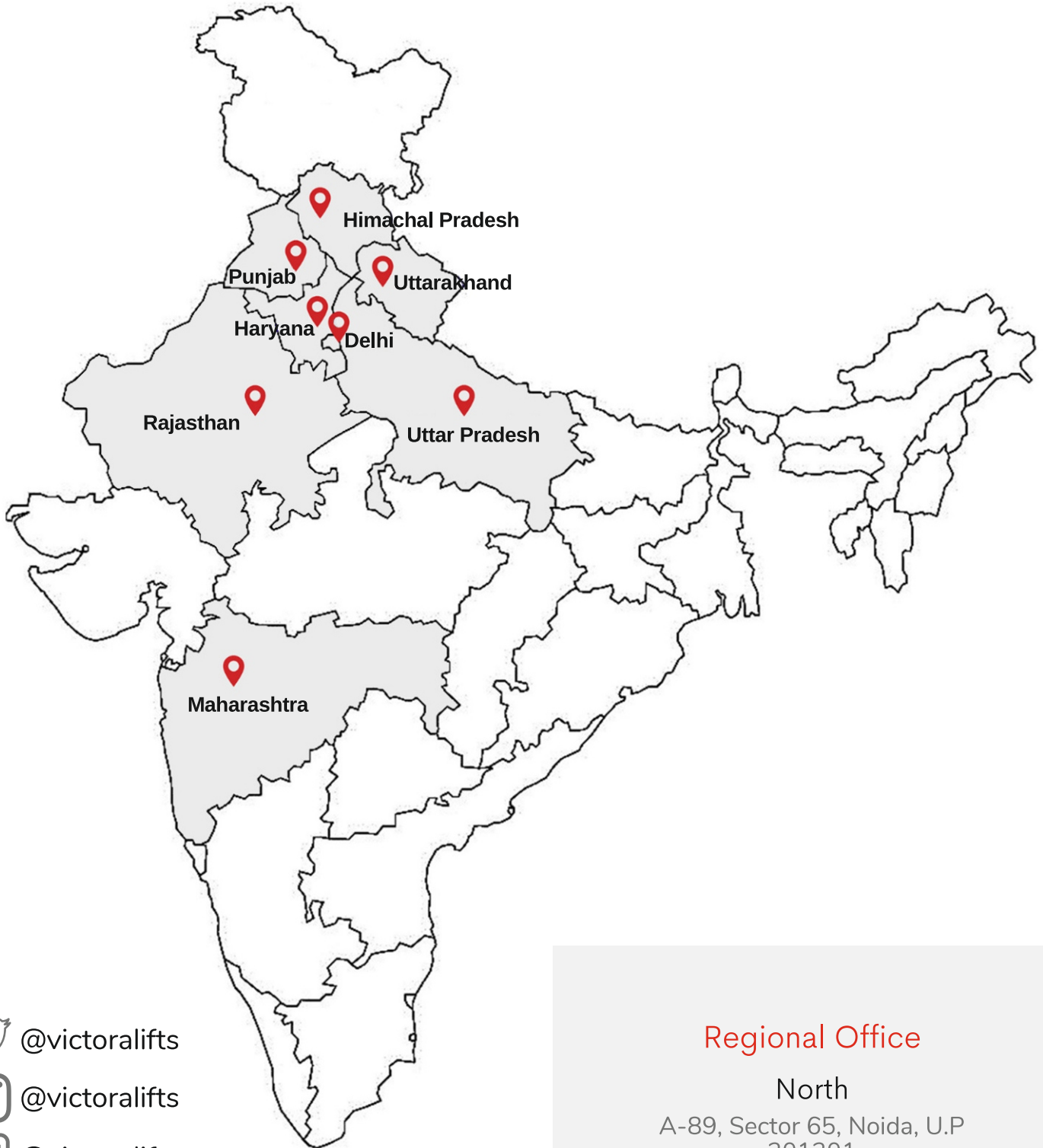
With a proven track record, Victoria SMART maintenance program boasts world class service network that works 24/7 to target reduced turnaround time and costs. Our relentless monitoring systems ensure careful area mapping and lift allocations. We offer flexible maintenance plans in order to meet the specific needs of individual clients. Our core strategy is to distinguished ourselves by best user customer experience.







# Our Presence



 @victoralifts

 @victoralifts

 @victoralifts

 @victoralifts



1800 102 8961



Learn more  
about Victora

[www.victoralifts.com](http://www.victoralifts.com)

## Regional Office

### North

A-89, Sector 65, Noida, U.P  
201301

### West

507, Filix Tower, Opp. Asian  
Paint, LBS Road, Bhandup (W),  
Mumbai, Maharashtra 400078

### Works

290, Sector 58, Faridabad,  
Haryana 121004